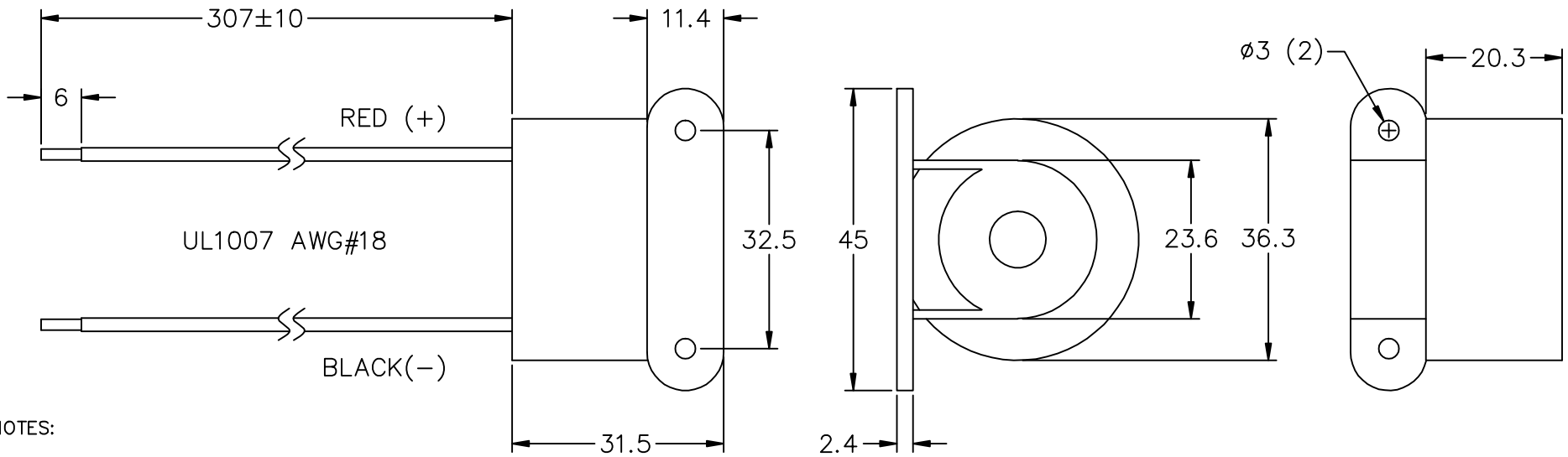


THIS DOCUMENT CONTAINS DATA PROPRIETARY TO PROJECTS UNLIMITED, INC. ANY USE OR REPRODUCTION, IN ANY FORM, WITHOUT PRIOR WRITTEN PERMISSION OF PROJECTS UNLIMITED, INC. IS PROHIBITED.
 ©2005, Projects Unlimited Inc.

SPECIFICATIONS

PARAMETERS	VALUES	UNITS
RATED VOLTAGE	48	Vdc
OPERATING VOLTAGE RANGE	9 ~ 48	Vdc
RATED CURRENT (MAX)	15	mA
MINIMUM SPL @ 10 CM	88	dBA
RESONANT FREQUENCY	2900±250	Hz
TONE OR PULSE RATE	CONTINUOUS	0 PULSE PER SECOND
OPERATING TEMPERATURE	-20 ~ +65	°C
STORAGE TEMPERATURE	-40 ~ +85	°C
HOUSING MATERIAL	PBT	-
TERMINAL MATERIAL	LEAD WIRE	-
WEIGHT	28.2	grams

REVISIONS			
LTR	DESCRIPTION	DATE	APPROVED
-	RELEASED FROM ENGINEERING	1/17/07	
A	REVISED SPL	1/17/08	B.R.



NOTES:

1. ALL DIMENSIONS ARE IN MILLIMETERS.
2. SPECIFICATION SUBJECT TO CHANGE OR WITHDRAWAL WITHOUT NOTICE.
3. SURGE VOLTAGE= 20% OVER RATED VOLTAGE FOR LESS THAN 5 MINUTES.
4. REVERSE VOLTAGE PROTECTED TO 48Vdc.
5. BENDER MATERIAL: STAINLESS STEEL
6. THIS PART IS RoHS 2002/95/EC COMPLIANT.

FILE NAME
AI-3629-SF-LW307-R.DWG

UNLESS OTHERWISE SPECIFIED:
DIMENSIONS ARE IN MILLIMETERS, TOLERANCES ARE ±0.5 AND ANGLES ARE ±3°.

APPROVALS	DATE
DRAWN J.D.	1/07
CHECKED D.F.	1/07
APPROVED R.W.	1/07

 projects unlimited Dayton, Ohio

INDICATOR

DRAWING NO.
AI-3629-SF-LW307-R

SIZE A

DO NOT SCALE DRAWING

SCALE: N.T.S.

SHEET 1 OF 1